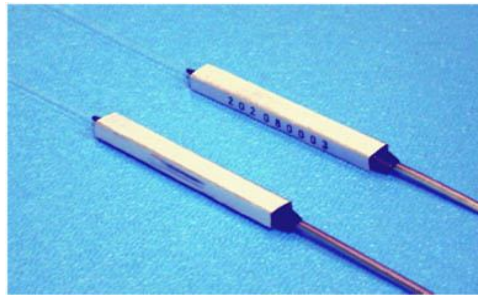


## 2XN Series PLC(Planar Lightwave Circuit) Splitter

### Products Overview:

Planar waveguide light optical distributor (PLC Splitter), is a kind of planar waveguide integrated optical device, it can be 1260nm ~ 1650nm such a wide range of wavelengths of light power reservation in realization, the distribution of wavelength range covers EPON technology used 1310nm, 1490nm and 1550nm three wavelengths. Especially suitable for EPON Ethernet passive optical network access technology FTTP fiber network system, broadband passive optical distributor (POS) use.

Features	Applications
Low insertion loss and high uniform Low polarization relevant Redundant reliability	FTTX application CATV network Passive Optical Network(PON)



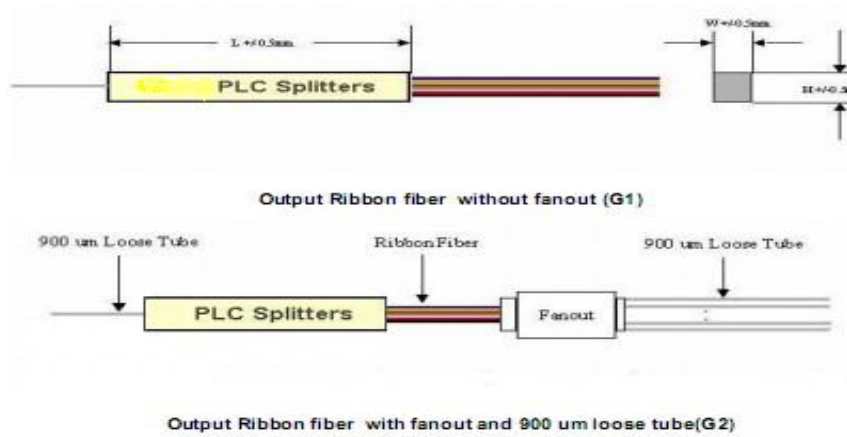
### Performance Specifications:

Type		2x2	2x4	2x8	2x16	2x32	2x64
Operating Wavelength(nm)		1260~1650					
Insertion loss (dB)1,2	Typical value	4.2	7.5	10.8	14.0	17.4	20.6
	Maximum value	4.5	7.8	11.0	14.2	17.6	20.8
Loss uniformity (dB)1,2	Maximum value	0.6	0.8	1.3	1.5	2.0	2.0
Polarization dependent loss (dB)1,2	Maximum value	0.3					
Wavelength dependent loss (dB)	Maximum value	1.0					
Return loss (dB)1,3	Minimum value	≥50					
Directivity (dB)1,3	Minimum value	≥55					
Operating temperature (°C)		-20 to 75					
Storage temperature (°C)		-40 to 85					
Optical fiber type		SMF-28E G657A					
Optical fiber length (m)		1.0 customer require					

1. all measurement at room temperature,
2. specification exclude connector loss, if with connector, PC,UPC will be higher 0.2db,APC 0.3dB.
3. exclude connector

## Package Drawing

### SS.Tube1



### SS.Tube2



PLC Type	2x2	2x4	2x8	2x16	2x32	2x64
SS tube1 (mm)	4x4x45	4x4x45	4x4x45	4x7x55	4x7x55	4x12x80
SS tube2 (mm)	4*7*55	4*7*55	4*7*55	4*7*55	6x20x80	8x20x80
ABS BOX Package (mm)	100x80x10			120x80x18		141x118x18



### Ordering Information:

ZP	Channel Type	Package Type	Fiber Type	Connector Type In	Connector Type Out	Fiber Length
Z=ZG TECH	0202=1x2 0204=1x4 0208=1x8	D=bare fiber device(S.S tube 1) F=FanOut type	0=250um bare fiber	0=no connector FU=FC/UPC FA=FC/APC	0=no connector FU=FC/UPC FA=FC/APC	10=1meter 15=1.5 Meter 20=2.0 Meter
P= PLC	0216=1x16 0232=1x32 0264=1x64 2128=2x128	B=ABS Box M=Mini Module(S.S Tube 2) R=19inch Rack Mount L=LGX Box T=Tuopan ODF P=ChaPian box (China type only) W=Wall Mount	1=900um loose tube 2=2mm cable 3=3mm cable	SU=SC/UPC SA=SC/APC LU=LC/UPC LA=LC/APC S=Specify	SU=SC/UPC SA=SC/APC LU=LC/UPC LA=LC/APC S=Specify	30=3.0 Meter

Example: ZP0216B2FAFU15

ZG TECH PLC Splitter, 2X16, ABS box type, 2mm fiber, input FCAPC, Output FCUPC, Fiber length 1.5 Meters.